

**AUDIOVOX®**  
ELECTRONICS CORP.

**SIRIUS**  **SHUTTLE**

**Vehicle Installation Guides**

**SIR-CK1 and SIR-CK2**



128-6813

1 of 14

## ***Congratulations***

You are one step closer to experiencing Sirius Satellite Radio. Sirius will revolutionize your in-home or vehicle entertainment with:

- 100 streams of original programming, including –
  - 60 streams of completely commercial-free music – guaranteed.
  - 40 streams of news, sports and entertainment
- Coast-to-Coast reception and Digital-quality sound

All music content is selected and developed in-house by Sirius' team of Master Music Programmers – talented and seasoned professionals who love the music as much as the listeners. World-class partners such as ESPN, ABC, CNBC, Bloomberg, Discovery and Radio Disney are developing news, sports and entertainment programming.

Your Audiovox Shuttle must be used with an adapter kit, such as the Audiovox Home kit or Vehicle/Boat Kit as required by your specific installation needs. These kits are available at retailers where Audiovox main units are sold.

Audiovox Home Kit: SIR-HK1

Audiovox Vehicle Kit: SIR-CK1 (With FM Modulator)

Audiovox Vehicle Kit: SIR-CK2 (Without FM Modulator)

-2-

128-6813

2 of 14

## ***Cautions and Warnings***

1. Do not install the Shuttle in a position that hinders your view through the windshield, or obstructs viewing of the dashboard indicators and displays.
2. Do not install the unit where it may obstruct the operation or deployment of safety devices, such as airbags, etc.
3. Do not allow operation of the unit to detract from safe driving practices; remember that you are responsible as the vehicle operator to adhere to all safe driving and traffic regulations.
4. This unit complies with the interference limits relative to a Class B digital device, applicable under Part 15 of the FCC Rules regarding installation in a residential environment. If the unit is not installed in accordance with these instructions, it could cause harmful interference to radio or television reception. If this condition persists after corrective action, consult your dealer or experienced installation facility.
5. By adhering to these warnings and safety considerations, serious accidents and/or personal injury can be avoided.

## Contents *SIR-CK1 and SIR-CK2*

Install Manual  
P/N 1286813



1 pc.

Base  
P/N 136C3484



1 pc.

Audio Cable  
P/N 112B3293



1 pc.

Antenna  
P/N 118C1126



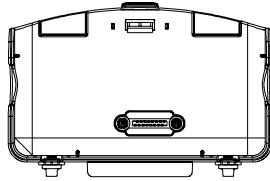
1 pc.

DC Power Adapter  
P/N 112B3294



1 pc.

Cradle CK1 P/N 136D3471  
or  
Cradle CK2 P/N 136D3479



1 pc.

## HARDWARE KIT - P/N 150-1519

Split Lock Washer, M4



4 pcs

3/4" W X 3" Long  
Double Sided Tape



1 pc

Alcohol Swab



1 pc.

Phillips Machine  
Screw (M4 x 8mm)



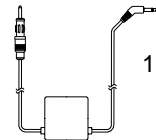
4 pcs.

Flat Washer, M4



4 pcs.

**OPTIONAL**  
FM Switching Box Assy  
P/N 112C3159 (6 Meter)



1 pc.

## ***Installation/Wiring Precautions***

1. To prevent a short-circuit, be sure to turn off the ignition and remove the negative (-) battery cable prior to installation. Connect power wires last.
2. Do not install the unit in the locations exposed to direct sunlight or, in areas subject to extreme temperatures.
3. Incorrect installation may cause damage to the system. Mount the unit firmly in place, using the supplied hardware.
4. Be careful not to damage the vehicle wiring.
5. Be sure to use the supplied screws and washers.
6. Be careful not to snag any wires when tightening screws.

## ***Setting Up and Installing Your Kit***

**NOTE:** The SIRIUS® signal can be received and processed virtually anywhere as long as there are no obvious satellite signal obstructions such as nearby buildings, high terrain, parking garages or tunnels.

### ***1. Cabling Interconnections***

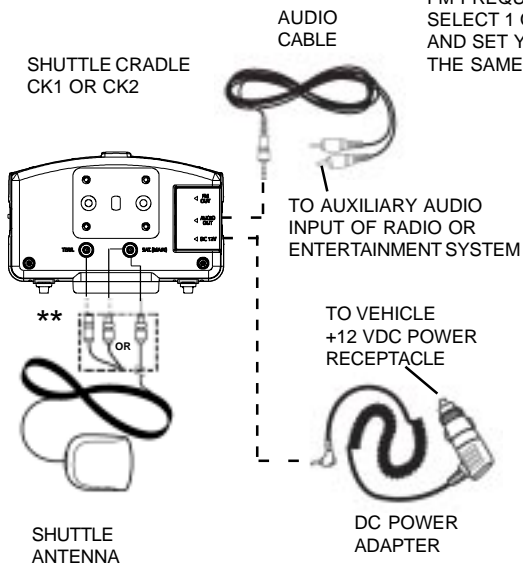
You can begin to enjoy Sirius® Satellite Radio as soon as the Shuttle and Vehicle Kit installation are complete. Set up your Audiovox Shuttle using the following installation instructions, or enlist the help of a professional installer:

### ***2. Installing the Cradle Mount Base Assembly***

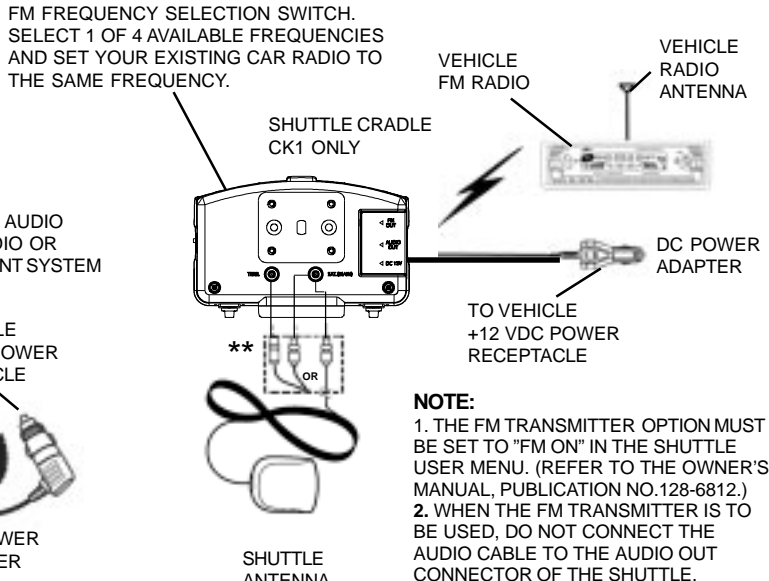
**NOTE:** The fins on the mounting base are pliable and can be bent to conform to most mounting surfaces.

- a. Interconnect all of the components as shown on the adjacent page to verify that the system operates normally.
- b. Locate a firm, reasonably flat surface within your car to permit optimum viewing and line-of-sight access by the supplied remote control unit.

### Interconnect Diagram



### Interconnect Diagram FM Option



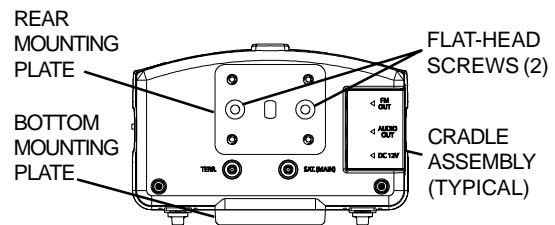
\*\* TERRESTRIAL ANTENNA CONNECTION FOR USE WITH OPTIONAL 2 CONNECTOR ANTENNA CONFIGURATION

**CAUTION:** Do not install the mounting base on a leather or fabric surface, or in a position that could impair your vision, block air bag(s) or obstruct vehicle dashboard controls and/or radio CD/cassette operational displays.

**NOTE:** The adhesive backing on the base will not permit easy repositioning once it has been mated to the surface; use extreme care and planning when selecting the mounting location. If the base is to be screwed to the surface, make sure the area in back of the mounting surface is clear of wires or other items to prevent unintentional damage.

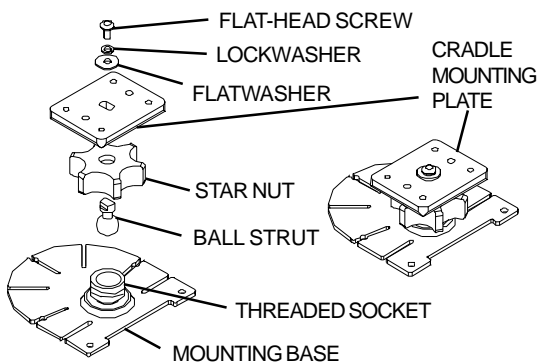
c. Using the alcohol swab supplied with your kit, clean the mounting surface and thoroughly wipe the area dry with a clean lint-free cloth.

d. The cradle contains two mounting plates, one on the rear and one on the bottom. After deciding which configuration to use, loosen and remove two flat-head screws securing the plate to the cradle and remove the plate. Save the two screws for reassembly.

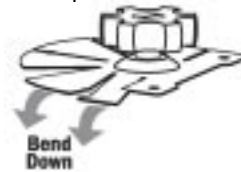


e. As shown in the figure, unscrew the star nut and ball strut assembly from the mounting base threaded socket; then remove the flat-head screw, lockwasher and flatwasher from the end of the ball strut.

- f. Insert the end of the ball strut into the keyed opening on the cradle mounting plate, and secure the plate to the ball strut using the flatwasher, lockwasher and flat-head screw through the back of the plate.
- g. Reattach the mounting plate assembly to the rear or bottom of the cradle assembly, as desired, using the two flat-head screws removed previously. Installation of the mounting base can now continue.



- h. If the outside air temperature is cold, it may be beneficial to warm the adhesive backing on the base using a portable hair dryer, or by holding the backing surface in front of a vehicle heater vent.
- i. Remove the plastic liner from the adhesive backing on the base, and fix the base in position on the surface; make sure the mounting pad is accurately positioned on the first try, since repositioning may be difficult, if not impossible.



- j. Bend the fins on the base so it conforms to the mounting surface. If the mount is to be screwed in place, do not remove the plastic liner from the adhesive backing. Use appropriate sheet metal or machine screws for this purpose.



**NOTE:** Allow a 72-hour period for the adhesive backing to cure completely.

- k. Using the star nut, attach the cradle assembly to the base threaded socket; do not overtighten the star nut.

### **3. *Installing the Cradle Using Double-Sided Tape***

You can mount the cradle directly to your dashboard or other flat surface without using the cradle mount in the kit. To do this, do not remove either of the mounting plate assemblies from the cradle.

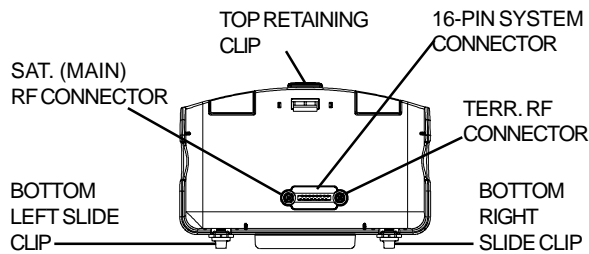
- a. Remove the 3/4" x 3" double-sided tape from the supplied kit.
- b. Determine the location of the cradle, and clean the mounting surface as before.
- c. Peel the backing from one side of the tape, and press the tape in place on the rear or bottom cradle mounting plate.
- d. Peel the backing from the exposed side of the tape and carefully position the cradle on the mounting surface, gently pressing the cradle into place.

### **4. *Using Other Manufacturer's Mounts***

The Shuttle Cradle can also be installed using other manufacturer's mounts; the mounting plate provisions on the rear and bottom of the cradle provide you with multiple mounting options within the vehicle using various vehicle-specific aftermarket brackets, such as those purchased separately from Panavise, Pro-Fit, etc.

### **5. *Installing the Shuttle into the Cradle***

The Shuttle cradle has three retaining clips---one on top and two on the bottom. Place the Shuttle in the cradle so that the Shuttle connectors are lined up; use the SAT and TERR RF connectors as guides. Then gently press in on the bottom of the Shuttle to engage the connectors. The top clip will automatically engage; then slide the two bottom clips back into the locked position. Cradle orientation can be adjusted by loosening the star nut and then tightening it when the cradle is in the desired viewing position.

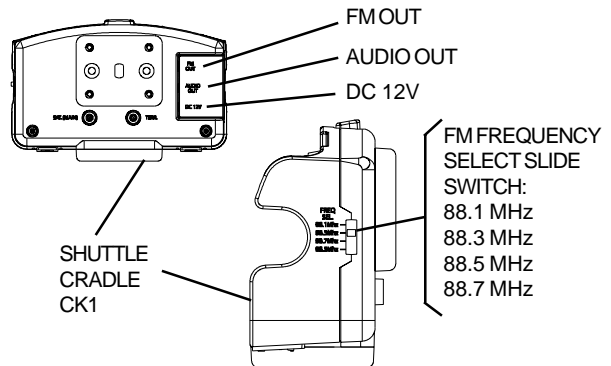


**6. Sirius Program Listening Options**

The Shuttle and Cradle provide an audio output signal in three manners:

1. When using CK1 or CK2 cradle, the audio signal can be routed through an audio cable which is applied to the auxiliary inputs of a radio or entertainment system.
2. When using the CK1 cradle, the audio signal can be transmitted to a car radio on one of four selectable FM frequencies. The audio signal can then be played through your car radio when the car radio is tuned to one of these frequencies.
3. Some listeners prefer to use a hard-wired FM transmitter. In this instance, when using the CK1 cradle, an optional FM Switching Box assembly

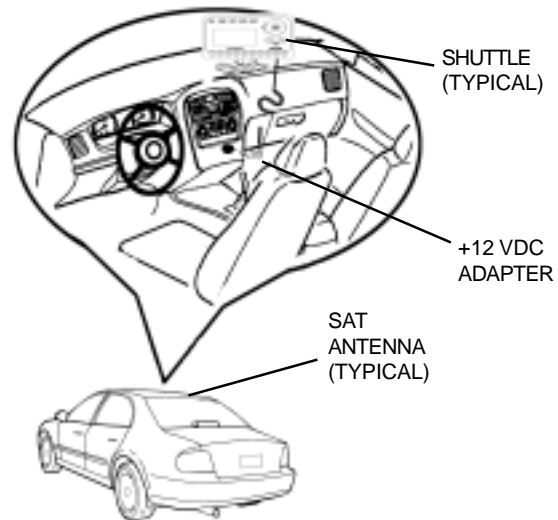
(Part No. 112C3159) is available and provides a hard-wired FM output when connected to the FM OUT connector on the left side of the cradle; the other end of the switching box plugs into the antenna jack of your radio. By using this assembly, and selecting the appropriate FM output frequency (88.1MHz, 88.3MHz, 88.5MHz or 88.7MHz) with the slide switch, the Sirius signal received at the SAT (MAIN) or TERR. cradle antenna input can be played through your car radio when tuned to one of these frequencies.



### 7. **Mounting the Vehicle Antenna**

The antenna should be placed on a relatively flat surface on the vehicle exterior, preferably on the roof (high point) or on the trunk (convertible). To mount the antenna:

- a. Plug the antenna into the SAT. (MAIN) connector on the back of the cradle.
- b. Place the antenna at the preferred location on the roof or trunk surface. If the vehicle is equipped with a roof or trunk rack, the antenna may have to be mounted off-center on the surface. The magnet will secure the antenna in the desired position.
- c. Apply power to the Shuttle system as outlined in the associated User Guide and obtain an audio output. If no audio is heard, first check the signal strength indicator located on the bottom left corner of the display to ensure the antenna is receiving an optimum signal. If necessary, move the antenna to different positions on the surface until an audio output is heard. This is the desired antenna position and should be marked with masking tape or by another non-scratch method.



- d. After determining the optimum position, turn off Shuttle power, disconnect the power adapter from the vehicle cigarette lighter receptacle and disconnect the antenna cable.

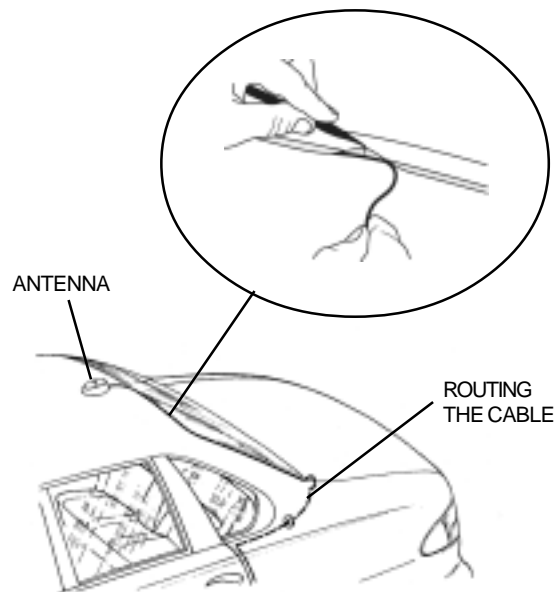
-11-

128-6813

11 of 14

- e. Plan the routing of the antenna cable to the Shuttle RF input. Make sure you avoid any obstructions that could crimp, kink or twist the cable; use protective grommets wherever rough openings are encountered.
- f. Route the cable from the antenna position to the interior of the vehicle, working the cable under the rear window molding; make adjustments and take up slack whenever necessary.
- g. At the lowest point of the rear window, route the cable into the trunk, taking advantage of existing cable conduits. Then snake the cable around the passenger compartment to the back of the Sirius cradle.
- h. In SUV's, minivans, etc., route the cable into the vehicle under the rubber molding of the hatch door or tailgate, and then under the interior trim.

**NOTE:** Avoid exposing the cable in the driver and passenger areas where it could become entangled in feet or other objects.



- i. Plug the antenna cable into the SAT (MAIN) connector on the back of the cradle; then plug the cigarette lighter adapter into the lighter receptacle. The integral power LED of the power button (●) will light red.
- j. You are now ready to enjoy Sirius programming within your vehicle.

**CAUTION:** You could drain the vehicle battery if the cigarette lighter adapter remains plugged in after the ignition is turned off. Unplug the adapter to prevent this possibility.



## 12 MONTH LIMITED WARRANTY

AUDIOVOX CORPORATION (the Company) warrants to the original retail purchaser of this product that should this product or any part thereof, under normal use and conditions, be proven defective in material or workmanship within 12 months from the date of original purchase, such defect(s) will be repaired or replaced with new or reconditioned product (at the Company's option) without charge for parts and repair labor.

To obtain repair or replacement within the terms of this Warranty, the product is to be delivered with proof of warranty coverage (e.g. dated bill of sale), specification of defect(s), transportation prepaid, to an approved warranty station or the Company at the address shown below.

This Warranty does not extend to the elimination of externally generated static or noise, to correction of antenna problems, to costs incurred for installation, removal or reinstallation of the product, or to damage to tapes, compact discs, speakers, accessories, or vehicle electrical systems.

This Warranty does not apply to any product or part thereof which, in the opinion of the Company, has suffered or been damaged through alteration, improper installation, mishandling, misuse, neglect, accident, or by removal or defacement of the factory serial number/bar code label(s). THE EXTENT OF THE COMPANY'S LIABILITY UNDER THIS WARRANTY IS LIMITED TO THE REPAIR OR REPLACEMENT PROVIDED ABOVE AND, IN NO EVENT, SHALL THE COMPANY'S LIABILITY EXCEED THE PURCHASE PRICE PAID BY PURCHASER FOR THE PRODUCT.

This Warranty is in lieu of all other express warranties or liabilities. ANY IMPLIED WARRANTIES, INCLUDING ANY IMPLIED WARRANTY OF MERCHANTABILITY, SHALL BE LIMITED TO THE DURATION OF THIS WRITTEN WARRANTY. ANY ACTION FOR BREACH OF ANY WARRANTY HEREUNDER INCLUDING ANY IMPLIED WARRANTY OF MERCHANTABILITY MUST BE BROUGHT WITHIN A PERIOD OF 48 MONTHS FROM DATE OF ORIGINAL PURCHASE. IN NO CASE SHALL THE COMPANY BE LIABLE FOR ANY CONSEQUENTIAL OR INCIDENTAL DAMAGES FOR BREACH OF THIS OR ANY OTHER WARRANTY, EXPRESS OR IMPLIED, WHATSOEVER. No person or representative is authorized to assume for the Company any liability other than expressed herein in connection with the sale of this product.

Some states do not allow limitations on how long an implied warranty lasts or the exclusion or limitation of incidental or consequential damage so the above limitations or exclusions may not apply to you. This Warranty gives you specific legal rights and you may also have other rights which vary from state to state.

**U.S.A. :** AUDIOVOX CORPORATION, 150 MARCUS BLVD., HAUPPAUGE, NEW YORK 11788 • 1-800-645-4994

**CANADA :** CALL 1-800-645-4994 FOR LOCATION OF WARRANTY STATION SERVING YOUR AREA

128-6464